
NEW

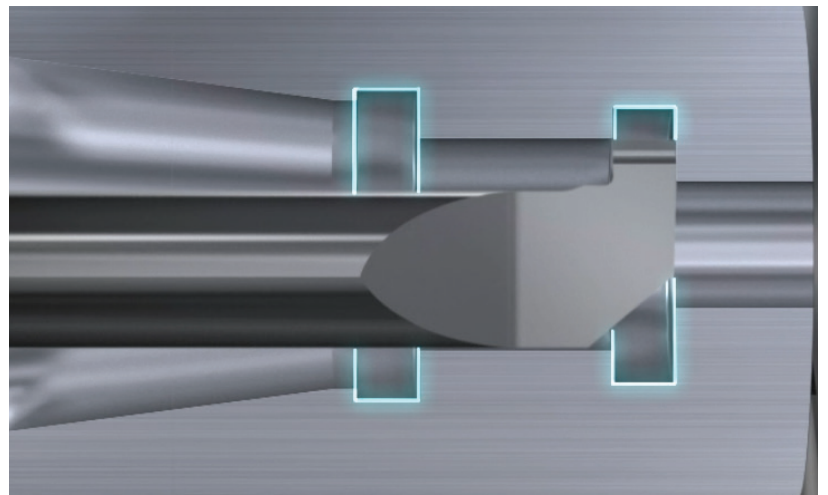
microscope

Neuer Microscope Spanbrecher für Inneneinstechanwendungen

Das neue Design des Spanbrechers bietet
eine neue Lösung für eine Vielzahl von
Nutbreiten

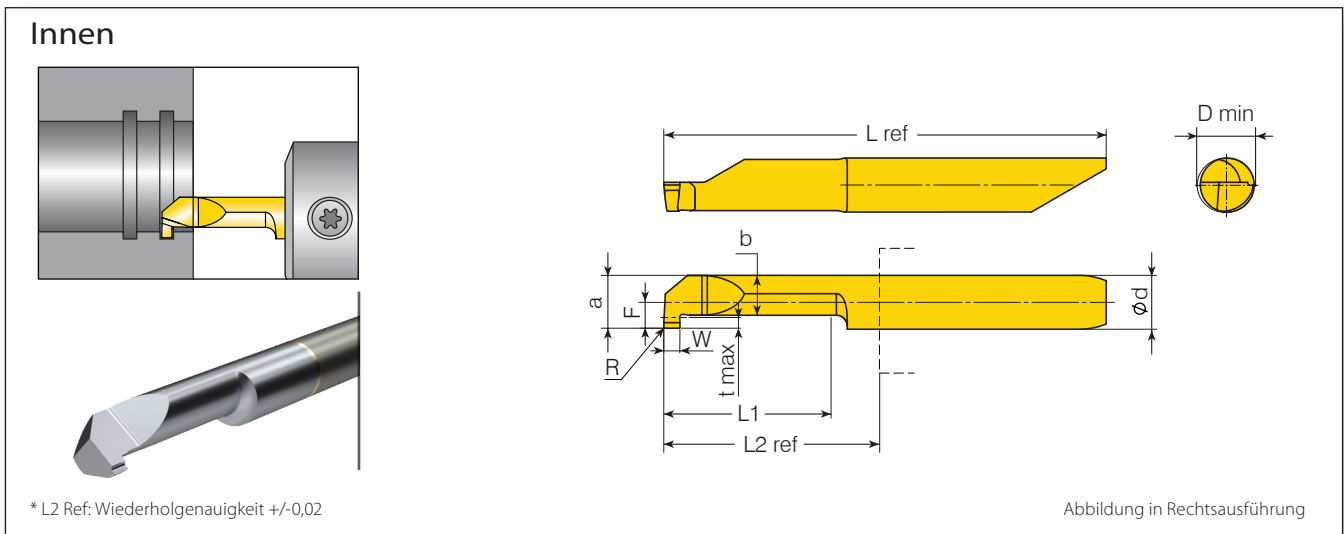
Eigenschaften & Vorteile

- Verbesserte Spankontrolle und kürzere Späne
- Reduzierte Schnittkräfte
- VTX Beschichtung für eine Vielzahl von Materialien
- Große Auswahl an Nutbreiten
1,00 mm - 2,00 mm
- Verbesserte Oberflächengüte
- Hervorragende Spanabfuhr
- Verbesserte Standzeit
- Hervorragend geeignet für Sacklöcher
- Minimaler Bohrungsdurchmesser - 5,2 mm



Neuer Microscope Spanbrecher für Inneneinstechanwendungen

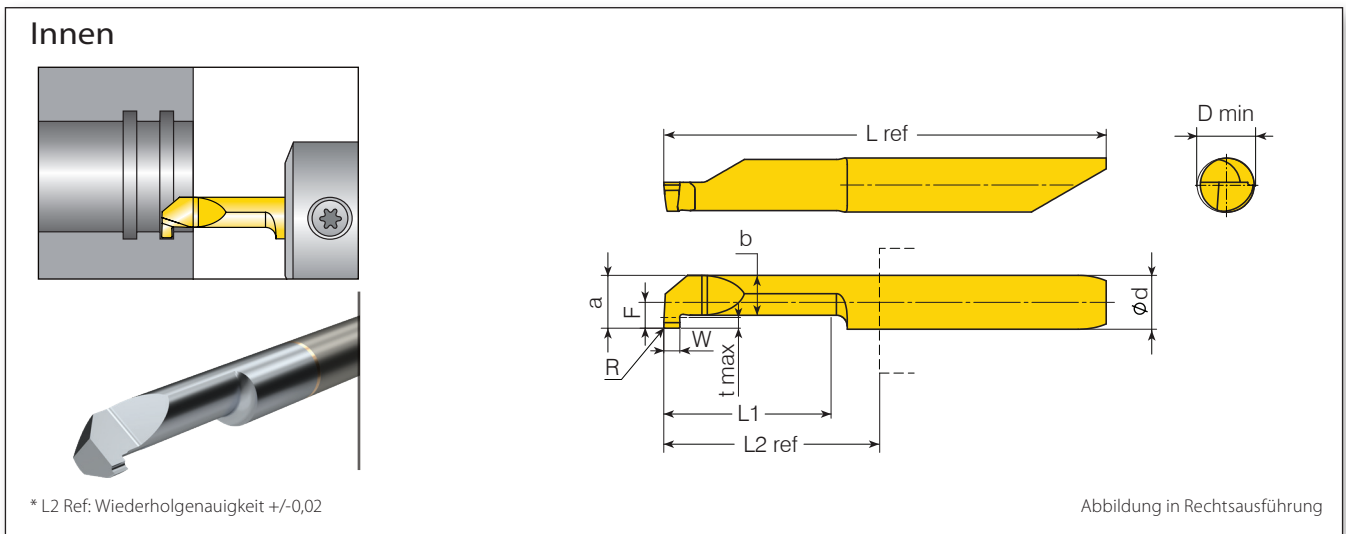
microscope



Schaft-Ø	Min.-Bohr-Ø.	Bestellnummer	Maße mm										
d (mm)	D min. (mm)	RH/LH	W ^{+0.025}	t max	L1	F	R	a	b	L2 ref*	L ref	VTX	
5.0	5.2	M552GCBS100L10RCE VTX	1.00	0.98	10.00	2.40	0.10	4.90	3.70	12.15	35.00	•	
		M552GCBS150L15RCE VTX	1.50	0.98	16.00	2.40	0.10	4.90	3.70	18.15	41.00	•	
		M552GCBS100L10RE VTX	1.00	0.98	10.00	2.40	0.10	4.90	3.70	12.15	35.00	•	
		M552GCBS100L15LE VTX	1.00	0.98	16.00	2.40	0.10	4.90	3.70	18.15	41.00	•	
		M552GCBS100L15RE VTX	1.00	0.98	16.00	2.40	0.10	4.90	3.70	18.15	41.00	•	
		M552GCBS100L20RE VTX	1.00	0.98	21.00	2.40	0.10	4.90	3.70	22.80	46.00	•	
		M552GCBS150L10RE VTX	1.50	0.98	10.00	2.40	0.10	4.90	3.70	12.15	35.00	•	
		M552GCBS150L15LE VTX	1.50	0.98	16.00	2.40	0.10	4.90	3.70	18.15	41.00	•	
		M552GCBS150L15RE VTX	1.50	0.98	16.00	2.40	0.10	4.90	3.70	18.15	41.00	•	
		M552GCBS150L20LE VTX	1.50	0.98	21.00	2.40	0.10	4.90	3.70	23.15	46.00	•	
		M552GCBS150L20RE VTX	1.50	0.98	21.00	2.40	0.10	4.90	3.70	23.15	46.00	•	
		M552GCBS200L10RE VTX	2.00	0.98	10.00	2.40	0.10	4.90	3.70	12.15	35.00	•	
		M552GCBS200L15RE VTX	2.00	0.98	16.00	2.40	0.10	4.90	3.70	18.15	41.00	•	
		M552GCBS200L20RE VTX	2.00	0.98	21.00	2.40	0.10	4.90	3.70	23.15	46.00	•	
6.00	6.20	M662GCBS079L10RE VTX	0.79	1.70	10.00	2.90	0.10	5.90	3.95	12.30	36.00	•	
		M662GCBS079L15RE VTX	0.79	1.70	15.00	2.90	0.10	5.90	3.95	18.30	42.00	•	
		M662GCBS079L35RE VTX	0.79	1.70	35.00	2.90	0.10	5.90	3.95	37.30	61.00	•	
		M662GCBS100L10RE VTX	1.00	1.70	10.00	2.90	0.10	5.90	3.95	12.30	36.00	•	
		M662GCBS100L15RE VTX	1.00	1.70	15.00	2.90	0.10	5.90	3.95	18.30	42.00	•	
		M662GCBS100L20RE VTX	1.00	1.70	20.00	2.90	0.10	5.90	3.95	23.30	47.00	•	
		M662GCBS100L30RE VTX	1.00	1.70	30.00	2.90	0.10	5.90	3.95	32.30	56.00	•	
		M662GCBS150L10RE VTX	1.50	1.70	10.00	2.90	0.10	5.90	3.95	12.30	36.00	•	
		M662GCBS150L15RE VTX	1.50	1.70	15.00	2.90	0.10	5.90	3.95	18.30	42.00	•	
		M662GCBS150L20LE VTX	1.50	1.70	20.00	2.90	0.10	5.90	3.95	23.30	47.00	•	
		M662GCBS150L20RE VTX	1.50	1.70	20.00	2.90	0.10	5.90	3.95	23.30	47.00	•	
		M662GCBS150L30RE VTX	1.50	1.70	30.00	2.90	0.10	5.90	3.95	32.30	56.00	•	
		M662GCBS157L35RE VTX	1.57	1.70	35.00	2.90	0.10	5.90	3.95	37.30	61.00	•	
		M662GCBS200L10RE VTX	2.00	1.70	10.00	2.90	0.10	5.90	3.95	12.30	36.00	•	
		M662GCBS200L15LE VTX	2.00	1.70	15.00	2.90	0.10	5.90	3.95	18.30	42.00	•	
		M662GCBS200L15RE VTX	2.00	1.70	15.00	2.90	0.10	5.90	3.95	18.30	42.00	•	
		M662GCBS200L20RE VTX	2.00	1.70	21.00	2.90	0.10	5.90	3.95	23.30	47.00	•	
		M662GCBS200L30RE VTX	2.00	1.70	30.00	2.90	0.10	5.90	3.95	32.30	56.00	•	

Neuer Microscope Spanbrecher für Inneneinstechanwendungen

microscope



Schaft-Ø	Min.-Bohr-Ø.	Bestellnummer	Maße mm									
d (mm)	D min. (mm)	RH/LH	W±0.025	t max	L1	F	R	a	b	L2 ref*	L ref	VTX
7.00	7.20	M772GCBS100L10RE VTX	1.00	2.50	10.00	3.40	0.10	6.90	4.10	11.40	36.00	•
		M772GCBS100L15RE VTX	1.00	2.50	15.00	3.40	0.10	6.90	4.10	16.40	41.00	•
		M772GCBS100L25RE VTX	1.00	2.50	25.00	3.40	0.10	6.90	4.10	26.40	51.00	•
		M772GCBS100L35RE VTX	1.00	2.50	35.00	3.40	0.10	6.90	4.10	36.40	61.00	•
		M772GCBS150L10RE VTX	1.50	2.50	10.00	3.40	0.10	6.90	4.10	11.40	36.00	•
		M772GCBS150L15RE VTX	1.50	2.50	15.00	3.40	0.10	6.90	4.10	16.40	41.00	•
		M772GCBS150L25RE VTX	1.50	2.50	25.00	3.40	0.10	6.90	4.10	26.40	51.00	•
		M772GCBS150L35RE VTX	1.50	2.50	35.00	3.40	0.10	6.90	4.10	36.40	61.00	•
		M772GCBS200L10RE VTX	2.00	2.50	10.00	3.40	0.10	6.90	4.10	11.40	36.00	•
		M772GCBS200L15RE VTX	2.00	2.50	15.00	3.40	0.10	6.90	4.10	16.40	41.00	•
		M772GCBS200L25LE VTX	2.00	2.50	25.00	3.40	0.10	6.90	4.10	26.40	51.00	•
		M772GCBS200L25RE VTX	2.00	2.50	25.00	3.40	0.10	6.90	4.10	26.40	51.00	•
		M772GCBS200L35RE VTX	2.00	2.50	35.00	3.40	0.10	6.90	4.10	36.40	61.00	•